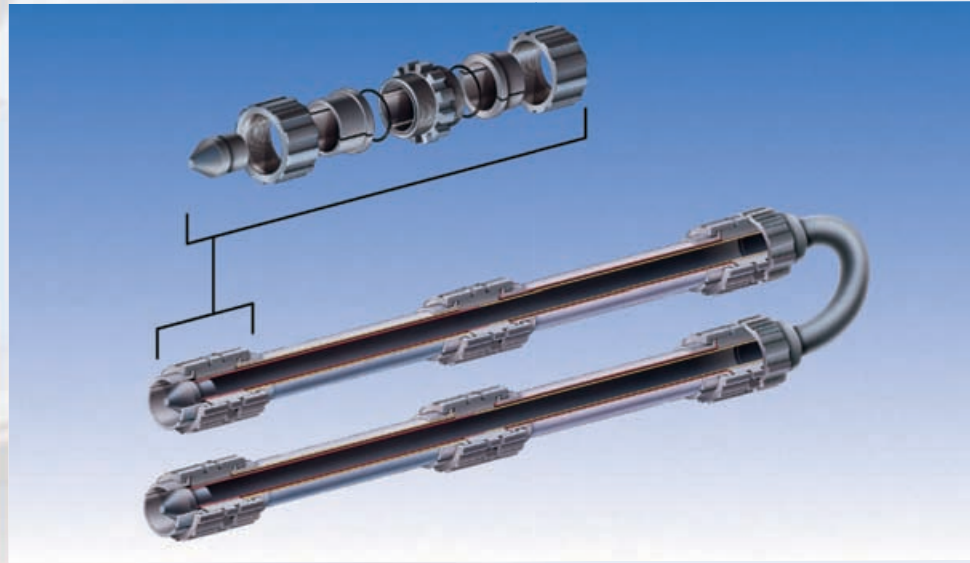


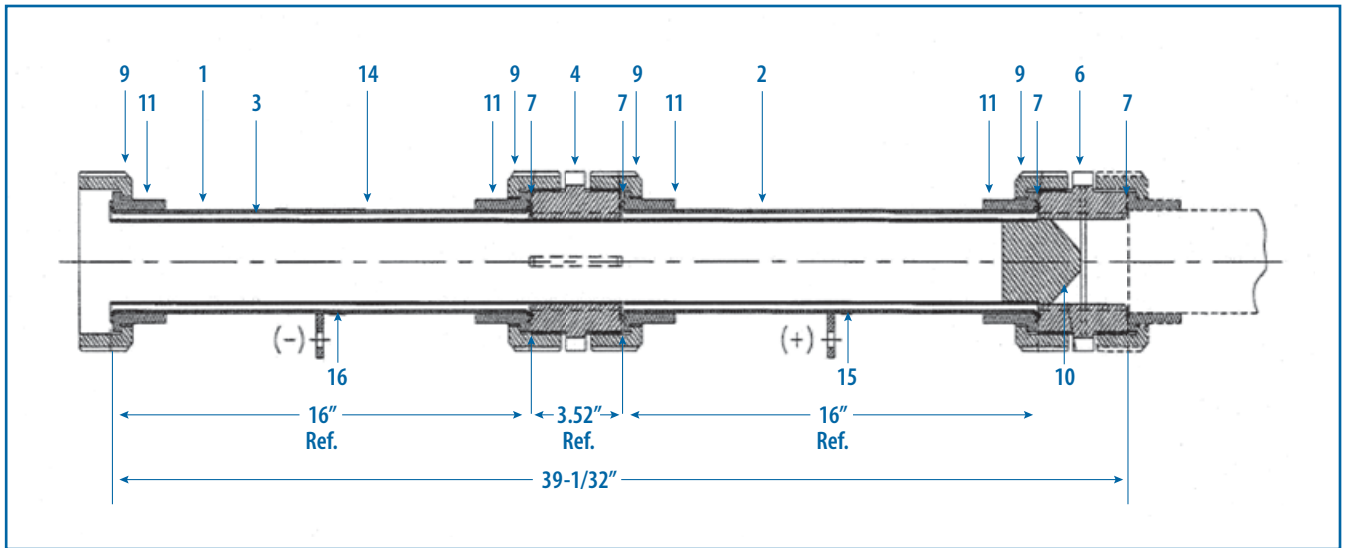
OPTIChlor™-T1M Replacement Cell Assembly Part No. RPF-53500-010-M2 for Chloropac® Mark I M



Optimum Anode Technologies is recognized as a reliable quality supplier of dimensionally stable anodes with superior lead times and is a business affiliate of Titan Metal Fabricators. Optimum Anode Technologies combines the excellent reputation and manufacturing know-how of Titan Metal Fabricators, a leading supplier of titanium and other exotic metal fabrication, with the industry experience of Optimum Anode Technologies' management in the manufacturing of dimensionally stable anode coatings. Our industry experts have more than 25 years of experience in anode technology, manufacturing and market expertise in supplying cost effective products that meet or exceed our customers' dimensionally stable anode needs.

OPTI-Chlor™ T1 replacement assembly is a direct replacement for Siemens Electrocatalytic Products' Chloropac® Mark I M cells which were developed by Optimum Anode Technologies Inc. personnel who have more than 30 years' of experience with the Chloropac technology. This experience includes both the development and manufacture of the Chloropac® Mark I M, as well as ownership prior to its acquisition by USFilter in 2000 and subsequent purchase by Siemens in 2004.

The OPTI-Chlor™ T1 cells are manufactured from seamless chemically pure ASTM –B385 tube with the anodic surfaces coated with Optimum Anode Technologies PurePlat™ platinum coating to insure five years' service under a variety of seawater temperatures.



1. Outer Titanium Cathode
2. Outer Titanium Anodes Platinum Plated on ID
3. Inner Bipolar Titanium Platinum Plated for 16" from the Anode End
4. Standard Union Body
5. Union Body Tapped and Pinned (n/a)
6. Union Body Pinned
7. Viton GF O-ring
8. Inner Spacer (n/a)
9. Union Nut
10. Cone End Spacer
11. Stub Split Spacer
12. CPVC Cement Gray
13. NA
14. NA
15. Anode Polarity Marking (+)
16. Cathode Polarity Marking (-)

The commitment of Optimum Anode Technologies' management is to provide our customers a quality product in a timely manner that meets or exceeds their technical and operational needs. We continually apply our unique fact finding and discovery consultative selling process to provide the most cost-effective solution for our customers.



Optimum Anode Technologies, Inc.

352 Balboa Circle, Camarillo, CA 93012 • Phone: 805-437-7435 • Fax: 805-484-5880

www.optimumanodes.com

All information and statements contained herein are believed to be accurate, but Optimum Anode Technologies makes no warranty with respect thereto, including but not limited to any results to be obtained or the infringement of any proprietary right. Use of application of such information or statements is at user's sole discretion, without any liability on the part of Optimum Anode Technologies. Nothing herein shall be construed as a license of or recommendation for use which infringes any proprietary right. All sales are subject to Optimum Anode Technologies' Standard Terms of Sale.

Chloropac™ is a registered trademark of Siemens Water Technologies

© Copyright 2012 Optimum Anode Technologies, Inc.